
Executive

5TH  element THE OFFICE MAKER



Executive



• GAMBA METALLICA A PONTE

MATERIALE: Tubolare metallico a sezione trapezoidale

FINITURA: Verniciatura a polveri epossidiche nei colori: Argento, Bianco, Antracite

CARATTERISTICA: Predisposta per il fissaggio delle travi portanti. Dotata di piedini livellatori.

• BRIDGE METAL LEG

MATERIAL: Metallic tubular with trapezoidal section

FINISH: Painted with epoxy resin powder in colours: Silver, White, Anthracite

FEATURE: The leg is predisposed for to fix the supporting beams. Adjustable feet included.

• GAMBA METALLICA A "LOOP"

MATERIALE: Tubolare metallico a sezione trapezoidale

FINITURA: Verniciatura a polveri epossidiche nei colori: Argento, Bianco, Antracite oppure nella versione CROMATA lucida.

CARATTERISTICA: Predisposta per il fissaggio delle travi portanti. Dotata di piedini livellatori.

• "LOOP" METAL LEG

MATERIAL: Metallic tubular with trapezoidal section

FINISH: Painted with epoxy resin powder in colours: Silver, White, Anthracite or shine CHROME version.

FEATURE: The leg is predisposed for to fix the supporting beams. Adjustable feet included.



• PIANI DI LAVORO

MATERIALE:

Pannello di particelle di legno sp. 18mm nobilitato in melaminico oppure vetro temperato sp. 12mm

COLORI MELAMINICO: Noce Hari, Bianco Frassino, Acero

Taki, Bianco Br., Wengè

COLORI VETRO: Nero, Rosso Rubino, Bianco Extra, Bianco Satinato.

• WORKTOPS

MATERIAL: Particleboard panel 18mm thick. melamine-faced or tempered glass 12 mm thick.

MELAMINE COLOURS: Hari Walnut, Ash White, Taki Maple, Br. White, Wengè

GLASS COLOURS: Black, Ruby Red, Extra White, Satined White.



• MODESTY PANEL

MATERIALE: Pannello di particelle di legno sp. 18mm

FINITURA: Nobilitato in melaminico

COLORI: Noce Hari, Bianco Frassino, Acero Taki, Bianco Br., Wengè

CARATTERISTICA: Dotato di staffe metalliche idonee al fissaggio sottopiano

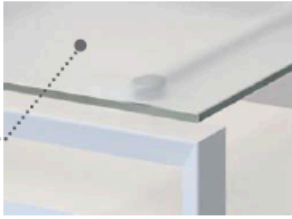
• MODESTY PANEL

MATERIAL: Particleboard panel thick 18mm

FINISH: Melamine-faced

COLOURS: Hari Walnut, Ash White, Taki Maple, Br. White, Wengè

FEATURE: It is furnished with metallic stirrups for undertop fixing



• TRAVI DI SOSTEGNO

MATERIALE: Tubolare metallico a sezione rettangolare

FINITURA: Verniciatura a polveri epossidiche nel colore Argento

CARATTERISTICA: Predisposte per il fissaggio delle gambe ponte e dei piani.

• SUPPORTING BEAMS

MATERIAL: Metallic tubular with rectangular section
FINISH: Painted with epoxy resin powder in Silver colour

FEATURE: The beams are predisposed for to fix the bridge legs and the tops.

• MOBILE-BASE

MATERIALE: Pannello di particelle di legno sp. 18mm

FINITURA: Nobilitato in melaminico

COLORI: Noce Hari, Bianco Frassino, Acero Taki, Bianco Br., Wengè

CARATTERISTICA: Consente l'alloggiamento del PC-Tower e il cablaggio tramite aperture sulla base e sul cappello. Dotato di piedini livellatori.

• BASE-CABINET

MATERIAL: Particleboard panel 18 mm thick.

FINISH: Melamine-faced

COLOURS: Hari Walnut, Ash White, Taki Maple, Br. White, Wengè

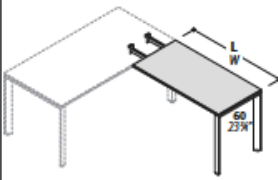
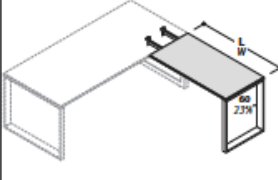
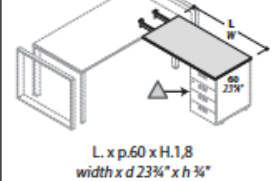
FEATURE: It allows the PC-Tower lodging and the wire-manager through a bottom and upper opening.

Adjustable feet included.



ALLUNGHI CON GAMBE METALLICHE (PIANI BORDATI SP. MM 18 MELAMINICO)

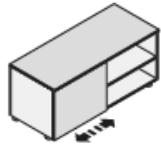
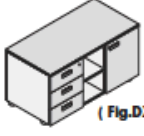
extensions with metal legs (square edged melamine tops thick. 3/4")

DESCRIZIONE <i>description</i>	L	w	CODICE <i>code</i>	KG <i>lb</i>	M ³ <i>ft³</i>	COLLI <i>pcs</i>	PREZZO <i>price</i>	PREZZO <i>price</i>	CODICE FINITURA (*) <i>finish code (*)</i>		
									GAMBE VERNICIATE ★ <i>★ painted legs</i>		GAMBE CROMATE ○ <i>○ chromed legs</i>
ALLUNGHI DX O SX CON GAMBA A PONTE <i>right or left extensions with bridge leg</i>  <p>L x p.60 x H.72,8 <i>width x d 23 3/4" x h 28 3/4"</i></p>	L.80	w.37 1/2"	153 013 (*)	17 37	0,084 2,97	4			★ GAMBE VERNICIATE / painted legs		
	L.100	w.39 1/2"	153 014 (*)	20 44	0,094 3,32	4			(*) PIANO STRUTTURA <i>top structure</i>		
	L.120	w.47 3/4"	153 010 (*)	24 52	0,102 3,60	4			017	NOCE HARI ARGENTO	hori walnut silver
									020	ACERO TAKI ARGENTO	taki maple silver
ALLUNGHI DX O SX CON GAMBA A "LOOP" <i>right or left extensions with "loop" leg</i>  <p>L x p.60 x H.72,8 <i>width x d 23 3/4" x h 28 3/4"</i></p>	L.80	w.37 1/2"	153 095 (*)	18 39	0,084 2,97	4			027	BIANCO FRA. ARGENTO	ash white silver
	L.100	w.39 1/2"	153 096 (*)	21 46	0,094 3,32	4			040	BIANCO BR. ARGENTO	br white silver
	L.120	w.47 3/4"	153 097 (*)	25 55	0,102 3,60	4			090	WENGÉ ARGENTO	wenge silver
									400	BIANCO BR. BIANCO	br white white
ALLUNGHI DX O SX PER CASSETTIERA-BASE <i>right or left extensions for base-pedestal</i>  <p>L x p.60 x H.1,8 <i>width x d 23 3/4" x h 3/4"</i></p>	L.80	w.37 1/2"	153 018 (*)	9,5 20	0,045 1,59	3			417	NOCE HARI BIANCO	hori walnut white
	L.100	w.39 1/2"	153 019 (*)	12 26	0,052 1,84	3			420	ACERO TAKI BIANCO	taki maple white
	L.120	w.47 3/4"	153 015 (*)	15 33	0,062 2,19	3			427	BIANCO FRA. BIANCO	ash white white
									490	WENGÉ BIANCO	wenge white
COMPLETARE SEMPRE CON CASSETTIERA-BASE ART.444-445-764-775 PAG.68 <i>to be always complete with base-pedestal art.444-445-764-775 page 68</i>											
										○ GAMBE CROMATE / chromed legs	
									917	NOCE HARI CROMATO	hori walnut chromed
									920	ACERO TAKI CROMATO	taki maple chromed
									927	BIANCO FRA. CROMATO	ash white chromed
									940	BIANCO BR. CROMATO	br white chromed
									990	WENGÉ CROMATO	wenge chromed
										(*) PIANO top	
									170	NOCE HARI	hori walnut
									200	ACERO TAKI	taki maple
									270	BIANCO FRASSINO	ash white
									400	BIANCO BR.	br white
									900	WENGÉ	wenge

MOBILI DI SERVIZIO SU PIEDINI

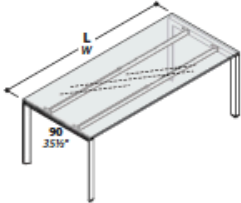
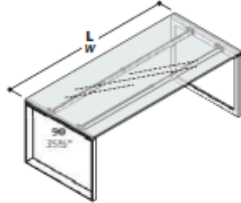
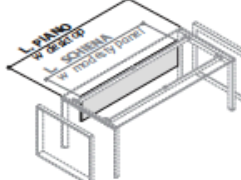

service units on adjustable feet

PER CASSETTIERE SU RUOTE VEDI PAG.67
for pedestals on wheels, please see page 67


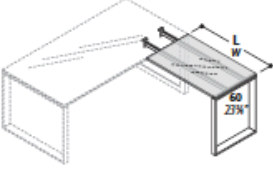
MOBILE DI SERVIZIO L.140 TERMINALE DX O SX <i>right or left terminal service unit w 55" with sliding door and open compartment</i>  <p>L.140 x p.60 x H.61,5 <i>w 55" x d 23 3/4" x h 24 1/4"</i></p>	152 454 (*)	47 103	0,167 5,90	2						
MOBILE DI SERVIZIO L.120 CON 3 CASSETTI, <i>service unit w 47" with 3 drawers, open compartment and 1 wooden door</i>  <p>(Fig.DX/right)</p> <p>L.120 x p.52,5 x H.61,5 <i>w 47" x d 20 1/4" x h 24 1/4"</i></p>	CASSETTI IN LEGNO <i>wooden drawers</i>									
	DX right	152 478 (*)	47 103	0,390 13,78	1					
	SX left	152 479 (*)								
	CASSETTI IN LEGNO <i>wooden drawers</i>		CON CHIUSURA AMMORTIZZATA <i>with soft-close</i>							
DX right	152 778 (*)	47 103	0,390 13,78	1						
	SX left	152 779 (*)								

(*)	FRONTALI + SCORRENA	TOP	STRUTTURA	finiss + base panel	top	structure
000	ARGENTO GOLF	ARGENTO GOLF	ARGENTO GOLF	golf silver	golf silver	golf silver
017	NOCE HARI	NOCE HARI	ARGENTO GOLF	hori walnut	hori walnut	golf silver
020	ACERO TAKI	ACERO TAKI	ARGENTO GOLF	taki maple	taki maple	golf silver
027	BIANCO FRASSINO	BIANCO FRASSINO	ARGENTO GOLF	ash white	ash white	golf silver
040	BIANCO BR.	BIANCO BR.	ARGENTO GOLF	br white	br white	golf silver
045	AZZURRO	ARGENTO GOLF	ARGENTO GOLF	blue	golf silver	golf silver
055	ANTRACITE	ARGENTO GOLF	ARGENTO GOLF	anthracite	golf silver	golf silver
060	VERDE ACIDO	ARGENTO GOLF	ARGENTO GOLF	acid green	golf silver	golf silver
065	ARANCIO	ARGENTO GOLF	ARGENTO GOLF	orange	golf silver	golf silver
070	GIALLO	ARGENTO GOLF	ARGENTO GOLF	yellow	golf silver	golf silver
080	ROSSO	ARGENTO GOLF	ARGENTO GOLF	red	golf silver	golf silver
090	WENGÉ	WENGÉ	ARGENTO GOLF	wenge	wenge	golf silver
400	BIANCO BR.	BIANCO BR.	BIANCO BR.	br white	br white	br white
405	ARGENTO GOLF	BIANCO BR.	BIANCO BR.	golf silver	br white	br white
417	NOCE HARI	NOCE HARI	BIANCO BR.	hori walnut	hori walnut	br white
420	ACERO TAKI	ACERO TAKI	BIANCO BR.	taki maple	taki maple	br white
427	BIANCO FRASSINO	BIANCO FRASSINO	BIANCO BR.	ash white	ash white	br white
445	AZZURRO	BIANCO BR.	BIANCO BR.	blue	br white	br white
455	ANTRACITE	BIANCO BR.	BIANCO BR.	anthracite	br white	br white
460	VERDE ACIDO	BIANCO BR.	BIANCO BR.	acid green	br white	br white
465	ARANCIO	BIANCO BR.	BIANCO BR.	orange	br white	br white
470	GIALLO	BIANCO BR.	BIANCO BR.	yellow	br white	br white
480	ROSSO	BIANCO BR.	BIANCO BR.	red	br white	br white
490	WENGÉ	WENGÉ	BIANCO BR.	wenge	wenge	br white
505	ARGENTO GOLF	ANTRACITE	ANTRACITE	golf silver	anthracite	anthracite
517	NOCE HARI	NOCE HARI	ANTRACITE	hori walnut	hori walnut	anthracite
520	ACERO TAKI	ACERO TAKI	ANTRACITE	taki maple	taki maple	anthracite
527	BIANCO FRASSINO	BIANCO FRASSINO	ANTRACITE	ash white	ash white	anthracite
540	BIANCO BR.	BIANCO BR.	ANTRACITE	br white	br white	anthracite
545	AZZURRO	ANTRACITE	ANTRACITE	blue	anthracite	anthracite
550	ANTRACITE	ANTRACITE	ANTRACITE	anthracite	anthracite	anthracite
560	VERDE ACIDO	ANTRACITE	ANTRACITE	acid green	anthracite	anthracite
565	ARANCIO	ANTRACITE	ANTRACITE	orange	anthracite	anthracite
570	GIALLO	ANTRACITE	ANTRACITE	yellow	anthracite	anthracite
580	ROSSO	ANTRACITE	ANTRACITE	red	anthracite	anthracite
590	WENGÉ	WENGÉ	ANTRACITE	wenge	wenge	anthracite

SCRIVANIE DIREZIONALI (PIANI IN VETRO SP. MM 12) E SCHIENE
executive desks (square edged glazed tops thick. 1/2") and modesty panels

DESCRIZIONE <i>description</i>	L	w	CODICE <i>code</i>	KG	M ³	COLLI <i>pcs</i>	PREZZO <i>price</i>	PREZZO <i>price</i>	CODICE FINITURA (*) <i>finish code (*)</i>	
				lb	ft ³					
SCRIVANIE DIREZIONALI PIANO IN VETRO E GAMBE A PONTE <i>executive desks with glass top and bridge legs</i>  L x p.90 x H.72,8 <i>width x d 35 1/2" x h 28 3/4"</i>	GAMBE VERNICIATE / painted legs						●	△	● VETRO RETROLACCATO O SATINATO <i>rear-lacquered or satined glass</i> (*) PIANO STRUTTURA top structure 012 NERO ARGENTO black silver 074 ROSSO RUBINO ARGENTO ruby red silver 099 BIANCO SATIN. ARGENTO satined white silver 412 NERO BIANCO black white 474 ROSSO RUBINO BIANCO ruby red white 499 BIANCO SATIN. BIANCO satined white white 512 NERO ANTRACITE black anthracite 574 ROSSO RUBINO ANTRACITE ruby red anthracite 599 BIANCO SATIN. ANTRACITE satined white anthracite	
	L180 w71"	153 916 (*)	68,6 151	0,256 9,05	5				△ VETRO RETROLACCATO BIANCO EXTRA <i>extra white rear-lacquered glass</i> (*) PIANO STRUTTURA top structure 078 BIANCO EXTRA ARGENTO extra white silver 478 BIANCO EXTRA BIANCO extra white white 578 BIANCO EXTRA ANTRACITE extra white anthracite	
	L200 w79 1/2"	153 920 (*)	74 163	0,283 10,00	5				■ VETRO RETROLACCATO O SATINATO <i>rear-lacquered or satined glass</i> (*) PIANO STRUTTURA top structure 912 NERO CROMATO black chromed 974 ROSSO RUBINO CROMATO ruby red chromed 999 BIANCO SATIN. CROMATO satined white chromed	
	GAMBE CROMATE / chromed legs						■	□	□ VETRO RETROLACCATO BIANCO EXTRA <i>extra white rear-lacquered glass</i> (*) PIANO STRUTTURA top structure 978 BIANCO EXTRA CROMATO extra white chromed	
	L180 w71"	153 931 (*)	68,6 151	0,256 9,05	5					
	L200 w79 1/2"	153 932 (*)	74 163	0,283 10,00	5					
	SCRIVANIE DIREZIONALI PIANO IN VETRO E GAMBE A "LOOP" <i>executive desks with glass top and "loop" legs</i>  L x p.90 x H.72,8 <i>width x d 35 1/2" x h 28 3/4"</i>	GAMBE VERNICIATE / painted legs						●	△	● VETRO RETROLACCATO O SATINATO <i>rear-lacquered or satined glass</i> (*) PIANO STRUTTURA top structure 012 NERO ARGENTO black silver 074 ROSSO RUBINO ARGENTO ruby red silver 099 BIANCO SATIN. ARGENTO satined white silver 412 NERO BIANCO black white 474 ROSSO RUBINO BIANCO ruby red white 499 BIANCO SATIN. BIANCO satined white white 512 NERO ANTRACITE black anthracite 574 ROSSO RUBINO ANTRACITE ruby red anthracite 599 BIANCO SATIN. ANTRACITE satined white anthracite
		L180 w71"	153 921 (*)	68,6 151	0,256 9,05	5				△ VETRO RETROLACCATO BIANCO EXTRA <i>extra white rear-lacquered glass</i> (*) PIANO STRUTTURA top structure 078 BIANCO EXTRA ARGENTO extra white silver 478 BIANCO EXTRA BIANCO extra white white 578 BIANCO EXTRA ANTRACITE extra white anthracite
		L200 w79 1/2"	153 922 (*)	74 163	0,283 10,00	5				■ VETRO RETROLACCATO O SATINATO <i>rear-lacquered or satined glass</i> (*) PIANO STRUTTURA top structure 912 NERO CROMATO black chromed 974 ROSSO RUBINO CROMATO ruby red chromed 999 BIANCO SATIN. CROMATO satined white chromed
		GAMBE CROMATE / chromed legs						■	□	□ VETRO RETROLACCATO BIANCO EXTRA <i>extra white rear-lacquered glass</i> (*) PIANO STRUTTURA top structure 978 BIANCO EXTRA CROMATO extra white chromed
L180 w71"		153 934 (*)	68,6 151	0,256 9,05	5					
L200 w79 1/2"		153 935 (*)	74 163	0,283 10,00	5					
SCHIENE PER SCRIVANIE DIREZIONALI CON PIANO IN VETRO <i>modesty panels for executive desks with glass top</i>  L x p.1,8 x H.31,1 <i>width x d 3/4" x h 12 1/4"</i>		L SCHIENA w modesty	UTILIZZARE SU PIANI use for desktops							(*) SCHIENA modesty panel 000 ARGENTO GOLF golf silver 400 BIANCO BR. br. white 550 ANTRACITE anthracite
		L159 w62 1/2"	L180 w71"	153 917 (*)	8 17	0,026 0,92	1			
		L179 w70 1/2"	L200 w79 1/2"	153 919 (*)	10 22	0,029 1,02	1			
		 UTILIZZARE SOLO SU SCRIVANIE CON PIANO IN VETRO <i>use under desks with glass top</i>								

ALLUNGHI (PIANI IN VETRO SP. MM 12)
extensions (square edged glazed tops thick. 1/2")

DESCRIZIONE <i>description</i>	L	w	CODICE <i>code</i>	KG	M ³	COLL	PREZZO	PREZZO	CODICE FINITURA (*) <i>finish code (*)</i>																																																																																																
				lb	ft ³	pcs	price	price																																																																																																	
ALLUNGHI DX O SX PIANO IN VETRO E GAMBA A PONTE <i>right or left extensions with glass top and bridge leg</i>	L100	w 39 1/2"	153 924 (*)	26,9	0,082	3	●	△	●																																																																																																
				5P	2,90																																																																																																				
 <p>L x p.60 x H.72,8 width x d 23 3/4" x h 28 3/4"</p>	L100	w 39 1/2"	153 937 (*)	26,9	0,082	3	■	□	■																																																																																																
				5P	2,90																																																																																																				
ALLUNGHI DX O SX PIANO IN VETRO E GAMBA A "LOOP" <i>right or left extensions with glass top and "loop" leg</i>	L100	w 39 1/2"	153 925 (*)	27,9	0,082	3	●	△	●																																																																																																
				61	2,90																																																																																																				
 <p>L x p.60 x H.72,8 width x d 23 3/4" x h 28 3/4"</p>	L100	w 39 1/2"	153 939 (*)	27,9	0,082	3	■	□	■																																																																																																
				61	2,90																																																																																																				
<table border="1"> <thead> <tr> <th colspan="2">●</th> <th colspan="2">VETRO RETROLACCATO O SATINATO <i>rear-lacquered or sanded glass</i></th> </tr> <tr> <th>(*)</th> <th>PIANO</th> <th>STRUTTURA</th> <th>top structure</th> </tr> </thead> <tbody> <tr> <td>012</td> <td>NERO</td> <td>ARGENTO</td> <td>black silver</td> </tr> <tr> <td>074</td> <td>ROSSO RUBINO</td> <td>ARGENTO</td> <td>ruby red silver</td> </tr> <tr> <td>099</td> <td>BIANCO SATIN</td> <td>ARGENTO</td> <td>sanded white silver</td> </tr> <tr> <td>412</td> <td>NERO</td> <td>BIANCO</td> <td>black white</td> </tr> <tr> <td>474</td> <td>ROSSO RUBINO</td> <td>BIANCO</td> <td>ruby red white</td> </tr> <tr> <td>499</td> <td>BIANCO SATIN</td> <td>BIANCO</td> <td>sanded white white</td> </tr> <tr> <td>512</td> <td>NERO</td> <td>ANTRACITE</td> <td>black anthracite</td> </tr> <tr> <td>574</td> <td>ROSSO RUBINO</td> <td>ANTRACITE</td> <td>ruby red anthracite</td> </tr> <tr> <td>599</td> <td>BIANCO SATIN</td> <td>ANTRACITE</td> <td>sanded white anthracite</td> </tr> </tbody> </table> <table border="1"> <thead> <tr> <th colspan="2">△</th> <th colspan="2">VETRO RETROLACCATO BIANCO EXTRA <i>extra white rear-lacquered glass</i></th> </tr> <tr> <th>(*)</th> <th>PIANO</th> <th>STRUTTURA</th> <th>top structure</th> </tr> </thead> <tbody> <tr> <td>078</td> <td>BIANCO EXTRA</td> <td>ARGENTO</td> <td>extra white silver</td> </tr> <tr> <td>478</td> <td>BIANCO EXTRA</td> <td>BIANCO</td> <td>extra white white</td> </tr> <tr> <td>578</td> <td>BIANCO EXTRA</td> <td>ANTRACITE</td> <td>extra white anthracite</td> </tr> </tbody> </table> <table border="1"> <thead> <tr> <th colspan="2">■</th> <th colspan="2">VETRO RETROLACCATO O SATINATO <i>rear-lacquered or sanded glass</i></th> </tr> <tr> <th>(*)</th> <th>PIANO</th> <th>STRUTTURA</th> <th>top structure</th> </tr> </thead> <tbody> <tr> <td>912</td> <td>NERO</td> <td>CROMATO</td> <td>black chromed</td> </tr> <tr> <td>974</td> <td>ROSSO RUBINO</td> <td>CROMATO</td> <td>ruby red chromed</td> </tr> <tr> <td>999</td> <td>BIANCO SATIN</td> <td>CROMATO</td> <td>sanded white chromed</td> </tr> </tbody> </table> <table border="1"> <thead> <tr> <th colspan="2">□</th> <th colspan="2">VETRO RETROLACCATO BIANCO EXTRA <i>extra white rear-lacquered glass</i></th> </tr> <tr> <th>(*)</th> <th>PIANO</th> <th>STRUTTURA</th> <th>top structure</th> </tr> </thead> <tbody> <tr> <td>978</td> <td>BIANCO EXTRA</td> <td>CROMATO</td> <td>extra white chromed</td> </tr> </tbody> </table>										●		VETRO RETROLACCATO O SATINATO <i>rear-lacquered or sanded glass</i>		(*)	PIANO	STRUTTURA	top structure	012	NERO	ARGENTO	black silver	074	ROSSO RUBINO	ARGENTO	ruby red silver	099	BIANCO SATIN	ARGENTO	sanded white silver	412	NERO	BIANCO	black white	474	ROSSO RUBINO	BIANCO	ruby red white	499	BIANCO SATIN	BIANCO	sanded white white	512	NERO	ANTRACITE	black anthracite	574	ROSSO RUBINO	ANTRACITE	ruby red anthracite	599	BIANCO SATIN	ANTRACITE	sanded white anthracite	△		VETRO RETROLACCATO BIANCO EXTRA <i>extra white rear-lacquered glass</i>		(*)	PIANO	STRUTTURA	top structure	078	BIANCO EXTRA	ARGENTO	extra white silver	478	BIANCO EXTRA	BIANCO	extra white white	578	BIANCO EXTRA	ANTRACITE	extra white anthracite	■		VETRO RETROLACCATO O SATINATO <i>rear-lacquered or sanded glass</i>		(*)	PIANO	STRUTTURA	top structure	912	NERO	CROMATO	black chromed	974	ROSSO RUBINO	CROMATO	ruby red chromed	999	BIANCO SATIN	CROMATO	sanded white chromed	□		VETRO RETROLACCATO BIANCO EXTRA <i>extra white rear-lacquered glass</i>		(*)	PIANO	STRUTTURA	top structure	978	BIANCO EXTRA	CROMATO	extra white chromed
●		VETRO RETROLACCATO O SATINATO <i>rear-lacquered or sanded glass</i>																																																																																																							
(*)	PIANO	STRUTTURA	top structure																																																																																																						
012	NERO	ARGENTO	black silver																																																																																																						
074	ROSSO RUBINO	ARGENTO	ruby red silver																																																																																																						
099	BIANCO SATIN	ARGENTO	sanded white silver																																																																																																						
412	NERO	BIANCO	black white																																																																																																						
474	ROSSO RUBINO	BIANCO	ruby red white																																																																																																						
499	BIANCO SATIN	BIANCO	sanded white white																																																																																																						
512	NERO	ANTRACITE	black anthracite																																																																																																						
574	ROSSO RUBINO	ANTRACITE	ruby red anthracite																																																																																																						
599	BIANCO SATIN	ANTRACITE	sanded white anthracite																																																																																																						
△		VETRO RETROLACCATO BIANCO EXTRA <i>extra white rear-lacquered glass</i>																																																																																																							
(*)	PIANO	STRUTTURA	top structure																																																																																																						
078	BIANCO EXTRA	ARGENTO	extra white silver																																																																																																						
478	BIANCO EXTRA	BIANCO	extra white white																																																																																																						
578	BIANCO EXTRA	ANTRACITE	extra white anthracite																																																																																																						
■		VETRO RETROLACCATO O SATINATO <i>rear-lacquered or sanded glass</i>																																																																																																							
(*)	PIANO	STRUTTURA	top structure																																																																																																						
912	NERO	CROMATO	black chromed																																																																																																						
974	ROSSO RUBINO	CROMATO	ruby red chromed																																																																																																						
999	BIANCO SATIN	CROMATO	sanded white chromed																																																																																																						
□		VETRO RETROLACCATO BIANCO EXTRA <i>extra white rear-lacquered glass</i>																																																																																																							
(*)	PIANO	STRUTTURA	top structure																																																																																																						
978	BIANCO EXTRA	CROMATO	extra white chromed																																																																																																						