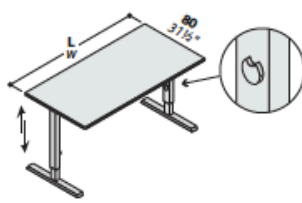
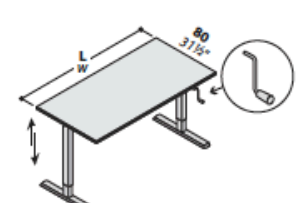
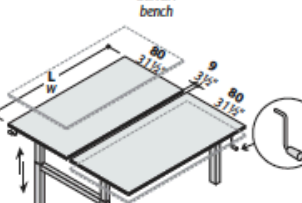
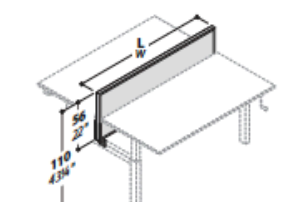

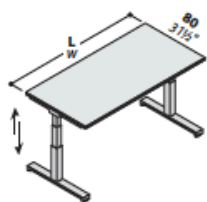
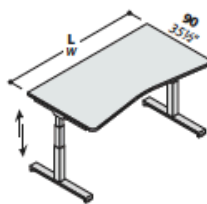
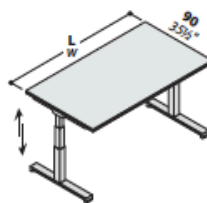
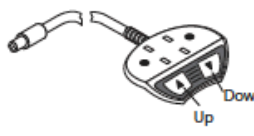




SCRIVANIE GAMBE A "T" CON ALTEZZA REGOLABILE H.65÷85 (con pomo o manovella)
desks "T" legs with adjustable height h 25½"÷33½" (with knob or crank)
PIANI sp. mm25
desktop thck. 1"

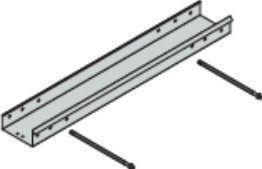

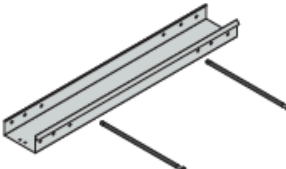

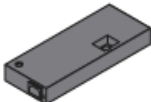

DESCRIZIONE <i>description</i>	L	w	CODICE <i>code</i>	KG	M ³	COLLI <i>pcs</i>	PREZZO <i>price</i>	CODICE FINITURA (*) <i>finish code (*)</i>																																																																	
				lb	ft ³																																																																				
SCRIVANIE PROF. CM 80 desks deep 31½"  <p>L. x p.80 x H.65÷85 width x d 31½" x h 25½"÷33½"</p>	L120 w 47½"	150	318 (*)	34 74	0,235 8,30	3																																																																			
	L140 w 55½"	150	319 (*)	38 83	0,247 8,73	3																																																																			
	L160 w 63"	150	320 (*)	41,5 91	0,265 9,36	3																																																																			
	L180 w 71"	150	321 (*)	45 99	0,281 9,92	3																																																																			
SCRIVANIE PROF. CM 80 desks deep 31½"  <p>L. x p.80 x H.65÷85 width x d 31½" x h 25½"÷33½"</p>	L120 w 47½"	150	380 (*)	34 74	0,235 8,30	3																																																																			
	L140 w 55½"	150	381 (*)	38 83	0,247 8,73	3																																																																			
	L160 w 63"	150	382 (*)	41,5 91	0,265 9,36	3																																																																			
	L180 w 71"	150	383 (*)	45 99	0,281 9,92	3																																																																			
BENCH bench  <p>L. x p.169 x H.65÷85 width x d 66½" x h 25½"÷33½"</p>	L160 w 63"	150	398 (*)	84 185	0,239 8,45	8																																																																			
	L180 w 71"	150	399 (*)	92 202	0,256 9,05	8																																																																			
<p>La regolazione in altezza avviene con sistema a manovella in modalità indipendente fra i 2 piani. The height is adjusted with use of a crank system in an independent way for each top.</p>																																																																									
PANNELLI FRONTALI PER BENCH front panels for bench  <p>L. x p.4 x H.56 width x d 1½" x h 22"</p>	L160 w 63"	150	408 (*)	15 33	0,053 1,87	2																																																																			
	L180 w 71"	150	409 (*)	17 37	0,059 2,08	2																																																																			
	L160 w 63"	150	411 (*)	15 33	0,053 1,87	2																																																																			
	L180 w 71"	150	412 (*)	17 37	0,059 2,08	2																																																																			
CANALI PORTA-CAVI cable trays  <p>L. x p.19 x H.10 width x d 7½" x h 4"</p>	L120 w 47½"	150	420 (*)	2,5 5	0,040 1,41	1																																																																			
	L140 w 55½"	150	421 (*)	3 6	0,034 1,20	1																																																																			
	L160 w 63"	150	422 (*)	3,5 7	0,034 1,20	1																																																																			
	L180 w 71"	150	423 (*)	4 8	0,049 1,72	1																																																																			
<p>! NON UTILIZZABILE IN PRESENZA DI SCHIENA DO NOT USE TOGETHER WITH THE MODESTY PANEL</p>																																																																									
<table border="1"> <thead> <tr> <th>(*)</th> <th>PIANI</th> <th>STRUTTURA</th> <th>tops</th> <th>structure</th> </tr> </thead> <tbody> <tr> <td>017</td> <td>NOCE HARI</td> <td>ARGENTO</td> <td>hori walnut</td> <td>silver</td> </tr> <tr> <td>020</td> <td>ACERO TAKI</td> <td>ARGENTO</td> <td>taki maple</td> <td>silver</td> </tr> <tr> <td>027</td> <td>BIANCO FRASSINO</td> <td>ARGENTO</td> <td>ash white</td> <td>silver</td> </tr> <tr> <td>030</td> <td>GRIGIO</td> <td>ARGENTO</td> <td>gray</td> <td>silver</td> </tr> <tr> <td>040</td> <td>BIANCO BR.</td> <td>ARGENTO</td> <td>bc white</td> <td>silver</td> </tr> <tr> <td>090</td> <td>WENGÈ'</td> <td>ARGENTO</td> <td>wenge</td> <td>silver</td> </tr> <tr> <td>400</td> <td>BIANCO BR.</td> <td>BIANCO</td> <td>bc white</td> <td>white</td> </tr> <tr> <td>417</td> <td>NOCE HARI</td> <td>BIANCO</td> <td>hori walnut</td> <td>white</td> </tr> <tr> <td>420</td> <td>ACERO TAKI</td> <td>BIANCO</td> <td>taki maple</td> <td>white</td> </tr> <tr> <td>427</td> <td>BIANCO FRASSINO</td> <td>BIANCO</td> <td>ash white</td> <td>white</td> </tr> <tr> <td>430</td> <td>GRIGIO</td> <td>BIANCO</td> <td>gray</td> <td>white</td> </tr> <tr> <td>490</td> <td>WENGÈ'</td> <td>BIANCO</td> <td>wenge</td> <td>white</td> </tr> </tbody> </table>									(*)	PIANI	STRUTTURA	tops	structure	017	NOCE HARI	ARGENTO	hori walnut	silver	020	ACERO TAKI	ARGENTO	taki maple	silver	027	BIANCO FRASSINO	ARGENTO	ash white	silver	030	GRIGIO	ARGENTO	gray	silver	040	BIANCO BR.	ARGENTO	bc white	silver	090	WENGÈ'	ARGENTO	wenge	silver	400	BIANCO BR.	BIANCO	bc white	white	417	NOCE HARI	BIANCO	hori walnut	white	420	ACERO TAKI	BIANCO	taki maple	white	427	BIANCO FRASSINO	BIANCO	ash white	white	430	GRIGIO	BIANCO	gray	white	490	WENGÈ'	BIANCO	wenge	white
(*)	PIANI	STRUTTURA	tops	structure																																																																					
017	NOCE HARI	ARGENTO	hori walnut	silver																																																																					
020	ACERO TAKI	ARGENTO	taki maple	silver																																																																					
027	BIANCO FRASSINO	ARGENTO	ash white	silver																																																																					
030	GRIGIO	ARGENTO	gray	silver																																																																					
040	BIANCO BR.	ARGENTO	bc white	silver																																																																					
090	WENGÈ'	ARGENTO	wenge	silver																																																																					
400	BIANCO BR.	BIANCO	bc white	white																																																																					
417	NOCE HARI	BIANCO	hori walnut	white																																																																					
420	ACERO TAKI	BIANCO	taki maple	white																																																																					
427	BIANCO FRASSINO	BIANCO	ash white	white																																																																					
430	GRIGIO	BIANCO	gray	white																																																																					
490	WENGÈ'	BIANCO	wenge	white																																																																					
<table border="1"> <thead> <tr> <th>(*)</th> <th>TESSUTO POLIESTERE STRETCH IGNIFUGO</th> <th>fire-retardant stretch polyester fabric</th> </tr> </thead> <tbody> <tr> <td>327</td> <td>GRIGIO</td> <td>gray</td> </tr> <tr> <td>328</td> <td>TORTORA</td> <td>gray beige</td> </tr> <tr> <td>329</td> <td>GIALLO</td> <td>yellow</td> </tr> <tr> <td>330</td> <td>MATTONE</td> <td>brick red</td> </tr> <tr> <td>331</td> <td>ARANCIO</td> <td>orange</td> </tr> <tr> <td>332</td> <td>ROSSO</td> <td>red</td> </tr> <tr> <td>333</td> <td>VERDE ACIDO</td> <td>acid green</td> </tr> <tr> <td>334</td> <td>BLU</td> <td>blue</td> </tr> <tr> <td>335</td> <td>CELESTE</td> <td>light blue</td> </tr> </tbody> </table>									(*)	TESSUTO POLIESTERE STRETCH IGNIFUGO	fire-retardant stretch polyester fabric	327	GRIGIO	gray	328	TORTORA	gray beige	329	GIALLO	yellow	330	MATTONE	brick red	331	ARANCIO	orange	332	ROSSO	red	333	VERDE ACIDO	acid green	334	BLU	blue	335	CELESTE	light blue																																			
(*)	TESSUTO POLIESTERE STRETCH IGNIFUGO	fire-retardant stretch polyester fabric																																																																							
327	GRIGIO	gray																																																																							
328	TORTORA	gray beige																																																																							
329	GIALLO	yellow																																																																							
330	MATTONE	brick red																																																																							
331	ARANCIO	orange																																																																							
332	ROSSO	red																																																																							
333	VERDE ACIDO	acid green																																																																							
334	BLU	blue																																																																							
335	CELESTE	light blue																																																																							
<table border="1"> <thead> <tr> <th>(*)</th> <th>ARGENTO</th> <th>silver</th> </tr> </thead> <tbody> <tr> <td>000</td> <td>ARGENTO</td> <td>silver</td> </tr> <tr> <td>400</td> <td>BIANCO</td> <td>white</td> </tr> </tbody> </table>									(*)	ARGENTO	silver	000	ARGENTO	silver	400	BIANCO	white																																																								
(*)	ARGENTO	silver																																																																							
000	ARGENTO	silver																																																																							
400	BIANCO	white																																																																							

SCRIVANIE GAMBE A "T" CON ALTEZZA REGOLABILE H.62÷128 (con sistema motorizzato)
desks "T" legs with adjustable height h 24½"÷50½" (with automatic system)
PIANI sp. mm25
desktop thick. 1"

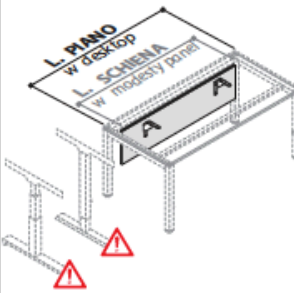

DESCRIZIONE description	L	w	CODICE code	KG	M ³	COLLI pcs	PREZZO price	CODICE FINITURA (*) finish code (*)																																																																				
				lb	ft ³			PIANI	STRUTTURA	tops	structure																																																																	
SCRIVANIE PROF. CM 80 desks deep 31½"  L x p.80 x H.62÷128 width x d 31½" x h 24½"-50½"	L.120 w 47½"	150	618 (*)	36 79	0,235 8,30	3																																																																						
	L.140 w 55½"	150	619 (*)	40 88	0,247 8,73	3																																																																						
	L.160 w 63"	150	620 (*)	43,5 95	0,265 9,36	3																																																																						
	L.180 w 71"	150	621 (*)	47 103	0,281 9,99	3																																																																						
	COMPLETARE SEMPRE CON PULSANTIERA ART.680 oppure ART.681+CAVO DI ALIMENTAZIONE ART.690 always complete with control panel up/down art.680 or art.681+power cable art.690																																																																											
SCRIVANIE SAGOMATE PROF. CM 90 shaped desks deep 35½"  L x p.90 x H.62÷128 width x d 35½" x h 24½"-50½"	L.140 w 55½"	150	637 (*)	38 83	0,257 9,08	3																																																																						
	L.160 w 63"	150	638 (*)	40,5 89	0,268 10,18	3																																																																						
	COMPLETARE SEMPRE CON PULSANTIERA ART.680 oppure ART.681+CAVO DI ALIMENTAZIONE ART.690 always complete with control panel up/down art.680 or art.681+power cable art.690																																																																											
SCRIVANIE PROF. CM 90 desks deep 35½"  L x p.90 x H.62÷128 width x d 35½" x h 24½"-50½"	L.180 w 71"	150	639 (*)	41 90	0,281 9,99	3																																																																						
	L.200 w 79½"	150	640 (*)	43 94	0,287 10,14	3																																																																						
COMPLETARE SEMPRE CON PULSANTIERA ART.680 oppure ART.681+CAVO DI ALIMENTAZIONE ART.690 always complete with control panel up/down art.680 or art.681+power cable art.690																																																																												
PULSANTIERA UP/DOWN control panel up/down 			150	680 (*)	1,5 3	0,001 0,04	1																																																																					
	COMPLETARE SEMPRE CON PULSANTIERA ART.680 oppure ART.681+CAVO DI ALIMENTAZIONE ART.690 always complete with control panel up/down art.680 or art.681+power cable art.690																																																																											
PULSANTIERA UP/DOWN "COMFORT" control panel up/down "COMFORT" 			150	681 (*)	1,5 3	0,001 0,04	1																																																																					
	COMPLETARE SEMPRE CON PULSANTIERA ART.680 oppure ART.681+CAVO DI ALIMENTAZIONE ART.690 always complete with control panel up/down art.680 or art.681+power cable art.690																																																																											
CAVO DI ALIMENTAZIONE EU L.200 cm power cable EU w 78½" 			150	690 (*)	1,5 3	0,001 0,04	1																																																																					
	COMPLETARE SEMPRE CON PULSANTIERA ART.680 oppure ART.681+CAVO DI ALIMENTAZIONE ART.690 always complete with control panel up/down art.680 or art.681+power cable art.690																																																																											
								<table border="1"> <thead> <tr> <th>(*)</th> <th>PIANI</th> <th>STRUTTURA</th> <th>tops</th> <th>structure</th> </tr> </thead> <tbody> <tr> <td>017</td> <td>NOCE HARI</td> <td>ARGENTO</td> <td>hazl walnut</td> <td>silver</td> </tr> <tr> <td>020</td> <td>ACERO TAKI</td> <td>ARGENTO</td> <td>taki maple</td> <td>silver</td> </tr> <tr> <td>027</td> <td>BIANCO FRASSINO</td> <td>ARGENTO</td> <td>ash white</td> <td>silver</td> </tr> <tr> <td>030</td> <td>GRIGIO</td> <td>ARGENTO</td> <td>gray</td> <td>silver</td> </tr> <tr> <td>040</td> <td>BIANCO BR.</td> <td>ARGENTO</td> <td>bc white</td> <td>silver</td> </tr> <tr> <td>090</td> <td>WENGÈ'</td> <td>ARGENTO</td> <td>wenge</td> <td>silver</td> </tr> <tr> <td>400</td> <td>BIANCO BR.</td> <td>BIANCO</td> <td>bc white</td> <td>white</td> </tr> <tr> <td>417</td> <td>NOCE HARI</td> <td>BIANCO</td> <td>hazl walnut</td> <td>white</td> </tr> <tr> <td>420</td> <td>ACERO TAKI</td> <td>BIANCO</td> <td>taki maple</td> <td>white</td> </tr> <tr> <td>427</td> <td>BIANCO FRASSINO</td> <td>BIANCO</td> <td>ash white</td> <td>white</td> </tr> <tr> <td>430</td> <td>GRIGIO</td> <td>BIANCO</td> <td>gray</td> <td>white</td> </tr> <tr> <td>490</td> <td>WENGÈ'</td> <td>BIANCO</td> <td>wenge</td> <td>white</td> </tr> </tbody> </table>				(*)	PIANI	STRUTTURA	tops	structure	017	NOCE HARI	ARGENTO	hazl walnut	silver	020	ACERO TAKI	ARGENTO	taki maple	silver	027	BIANCO FRASSINO	ARGENTO	ash white	silver	030	GRIGIO	ARGENTO	gray	silver	040	BIANCO BR.	ARGENTO	bc white	silver	090	WENGÈ'	ARGENTO	wenge	silver	400	BIANCO BR.	BIANCO	bc white	white	417	NOCE HARI	BIANCO	hazl walnut	white	420	ACERO TAKI	BIANCO	taki maple	white	427	BIANCO FRASSINO	BIANCO	ash white	white	430	GRIGIO	BIANCO	gray	white	490	WENGÈ'	BIANCO	wenge	white
(*)	PIANI	STRUTTURA	tops	structure																																																																								
017	NOCE HARI	ARGENTO	hazl walnut	silver																																																																								
020	ACERO TAKI	ARGENTO	taki maple	silver																																																																								
027	BIANCO FRASSINO	ARGENTO	ash white	silver																																																																								
030	GRIGIO	ARGENTO	gray	silver																																																																								
040	BIANCO BR.	ARGENTO	bc white	silver																																																																								
090	WENGÈ'	ARGENTO	wenge	silver																																																																								
400	BIANCO BR.	BIANCO	bc white	white																																																																								
417	NOCE HARI	BIANCO	hazl walnut	white																																																																								
420	ACERO TAKI	BIANCO	taki maple	white																																																																								
427	BIANCO FRASSINO	BIANCO	ash white	white																																																																								
430	GRIGIO	BIANCO	gray	white																																																																								
490	WENGÈ'	BIANCO	wenge	white																																																																								
								<table border="1"> <thead> <tr> <th>(*)</th> <th>PIANI</th> <th>STRUTTURA</th> <th>tops</th> <th>structure</th> </tr> </thead> <tbody> <tr> <td>500</td> <td>NERO</td> <td></td> <td>black</td> <td></td> </tr> </tbody> </table>				(*)	PIANI	STRUTTURA	tops	structure	500	NERO		black																																																								
(*)	PIANI	STRUTTURA	tops	structure																																																																								
500	NERO		black																																																																									
								<table border="1"> <thead> <tr> <th>(*)</th> <th>PIANI</th> <th>STRUTTURA</th> <th>tops</th> <th>structure</th> </tr> </thead> <tbody> <tr> <td>500</td> <td>NERO</td> <td></td> <td>black</td> <td></td> </tr> </tbody> </table>				(*)	PIANI	STRUTTURA	tops	structure	500	NERO		black																																																								
(*)	PIANI	STRUTTURA	tops	structure																																																																								
500	NERO		black																																																																									

CANALI PORTA-CAVI PER SCRIVANIE GAMBE A "T" (con sistema motorizzato)


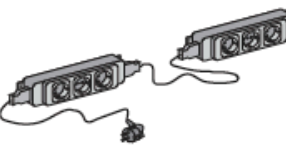

cable trays for desks "T" legs (with automatic system)

DESCRIZIONE <i>description</i>	L	w	CODICE <i>code</i>	KG <i>lb</i>	M ³ <i>ft³</i>	COLLI <i>pcs</i>	PREZZO <i>price</i>	CODICE FINITURA (*) <i>finish code (*)</i>		
CANALI PORTA-CAVI CON SUPPORTI PER SCRIVANIE PROF. CM 80 <i>cable trays with support elements for desks deep 31½"</i>  L x p. 15 x H.7 <i>width x d 6" x h 2¾"</i>	L.98	w 38½"	150 801 (*)	$\frac{4}{8}$	$\frac{0,024}{0,85}$	1				
	L.140	w 55½"	150 802 (*)	$\frac{6}{13}$	$\frac{0,034}{1,20}$	1				
	PROSPETTO INFORMATIVO / <i>fact-sheet</i>		CANALE PORTACAVI <i>cable tray</i>		UTILIZZABILE SU PIANI <i>usable on the desktops</i>					
			ART.801	L.120-140-160	w 47¼"-55¼"-63"					
		ART.802	L.160-180	w 63"-71"						
				 NON UTILIZZABILE IN PRESENZA DI SCHIENA DO NOT USE TOGETHER WITH THE MODESTY PANEL						
								(*)		
								000	ARGENTO silver	
								400	BIANCO white	
CANALI PORTA-CAVI CON SUPPORTI PER SCRIVANIE PROF. CM 90 <i>cable trays with support elements for desks deep 35½"</i>  L x p. 15 x H.7 <i>width x d 6" x h 2¾"</i>	L.98	w 38½"	150 811 (*)	$\frac{4}{8}$	$\frac{0,024}{0,85}$	1				
	L.140	w 55½"	150 812 (*)	$\frac{6}{13}$	$\frac{0,034}{1,20}$	1				
	PROSPETTO INFORMATIVO / <i>fact-sheet</i>		CANALE PORTACAVI <i>cable tray</i>		UTILIZZABILE SU PIANI <i>usable on the desktops</i>					
			ART.811	L.120-140-160	w 47¼"-55¼"-63"					
		ART.812	L.160-180-200	w 63"-71"-78¼"						
				 NON UTILIZZABILE IN PRESENZA DI SCHIENA DO NOT USE TOGETHER WITH THE MODESTY PANEL						
ELEMENTI DI RICAMBIO PER SCRIVANIE GAMBE A "T" (con sistema motorizzato) <i>spare parts for desks "T" legs (with automatic system)</i>										
SISTEMA DI CONTROLLO PER SCRIVANIA TELESCOPICA SINGOLA <i>control system for telescopic single desk</i> 			150 685 (*)	$\frac{2,5}{5}$	$\frac{0,004}{0,14}$	1				
									(*)	
								500	NERO black	
CAVO PROLUNGA PER SCRIVANIE CON LUNGHEZZA > 200 <i>power cable extension for desk with width > 200</i> 			150 691 (*)	$\frac{1,5}{3}$	$\frac{0,001}{0,04}$	1				
									(*)	
								500	NERO black	

SCHIENE (OPTIONAL)
modesty panels (optional)

DESCRIZIONE <i>description</i>	L	w	CODICE <i>code</i>	KG <i>lb</i>	M ³ <i>ft³</i>	COLLI <i>pcs</i>	PREZZO <i>price</i>	CODICE FINITURA (*) <i>finish code (*)</i>									
SCHIENE UTILIZZABILI SU TUTTE LE STRUTTURE "UP" <i>modesty panels for all structure "UP"</i>  L. x p. 1,8 x H. 30 <i>width x d ¾" x h 1 1/4"</i>																	
 SULLE SCRIVANIE CON STRUTTURE A "T" LE SCHIENE NON SONO UTILIZZABILI IN PRESENZA DI CANALE PORTA-CAVI ON DESKS WITH "T" METAL STRUCTURE DO NOT USE MODESTY PANEL TOGETHER WITH THE CABLE TRAY																	
<table border="1" style="width: 100%;"> <thead> <tr> <th>(*)</th> <th></th> <th></th> </tr> </thead> <tbody> <tr> <td>000</td> <td>ARGENTO GOLF</td> <td><i>golf silver</i></td> </tr> <tr> <td>400</td> <td>BIANCO BR.</td> <td><i>br. white</i></td> </tr> </tbody> </table>									(*)			000	ARGENTO GOLF	<i>golf silver</i>	400	BIANCO BR.	<i>br. white</i>
(*)																	
000	ARGENTO GOLF	<i>golf silver</i>															
400	BIANCO BR.	<i>br. white</i>															

KIT PRESE (OPTIONAL)
sockets kit (optional)

KIT ELETTRIFICAZIONE SINGOLO CON PRESE SCHUKO E CAVO DI ALIMENTAZIONE DI MT. 2,00 <i>single electrification kit with SCHUKO plugs and power cable w 78¾"</i>  NON DISPONIBILE PER MERCATO U.S.A. <i>not available for US market</i>			175 899 (*)	1 2	0,006 0,21	1								
KIT ELETTRIFICAZIONE DOPPIO CON PRESE SCHUKO E CAVO DI ALIMENTAZIONE DI MT. 2,00 <i>double electrification kit with SCHUKO plugs and power cable w 78¾"</i>  NON DISPONIBILE PER MERCATO U.S.A. <i>not available for US market</i>			175 900 (*)	1 2	0,006 0,21	1		<table border="1" style="width: 100%;"> <thead> <tr> <th>(*)</th> <th></th> <th></th> </tr> </thead> <tbody> <tr> <td>500</td> <td>NERO</td> <td><i>black</i></td> </tr> </tbody> </table>	(*)			500	NERO	<i>black</i>
(*)														
500	NERO	<i>black</i>												
KIT PROLLINGA DI MT. 2,00 CON PRESA ENTRATA/1 USCITA <i>extension kit of w 78¾"</i> <i>with an input-and-out-put-plug</i>  NON DISPONIBILE PER MERCATO U.S.A. <i>not available for US market</i>			175 901 (*)	0,5 1	0,002 0,07	1								